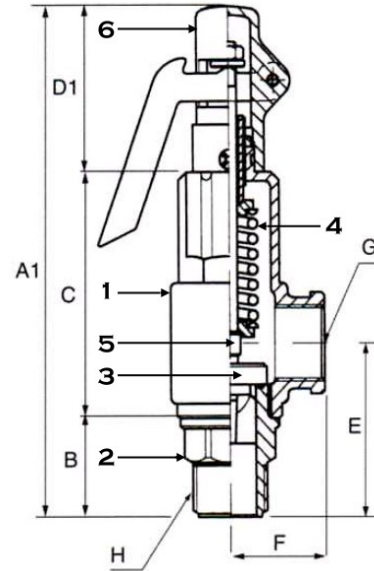




## BRONZE Safety Relief Valve With Lever for Steam

**Z245**



### DIMENSIONS :

SIZE	LIFT	A1	B	D1	C	E	F	G	H	
1/2	DN 15	0.52	160	31	56	73	52	29	1/2	1/2
3/4	DN 20	0.76	170	33	56	82	56	35	3/4	3/4
1"	DN 25	1	205	40	67	98	72	40	1"	1"
1 1/4	DN 32	1.28	227	50	67	110	86	50	1 1/4	1 1/4
1 1/2	DN 40	1.52	247	50	67	130	93	57	1 1/2	1 1/2
2"	DN 50	2	287	55	82	150	102	66	2"	2"

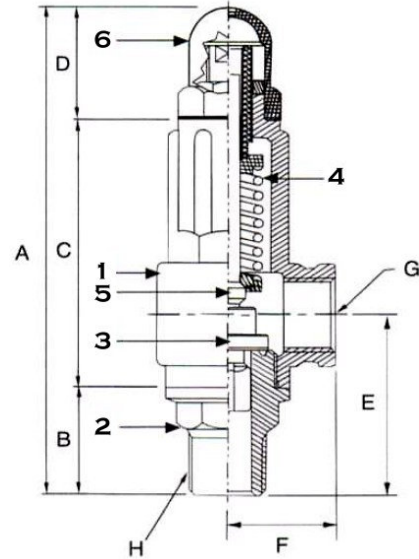
### COMPONENTS & MATERIAL :

NO	NAME	TYPE
		Z245
1	VALVE BODY	ASTM-C84400 / JIS BC1
2	VALVE SEAT	ASTM-C84400 / JIS BC1
3	DISC	ASTM-C36040
4	SPRING	STEEL
5	STEM	ASTM-C36040
6	CAP	ASTM-C84400 / JIS BC1
WORKING PRESSURE		0.3 ~ 10 KG/cm <sup>2</sup>
WORKING TEMP		-45°C ~ 185°C
WORKING FLUID		Noncorrosive Gas, Steam, Air



## BRONZE Safety Relief Valve With Sealing for Steam/Water

**Z244**



### Dimensions :

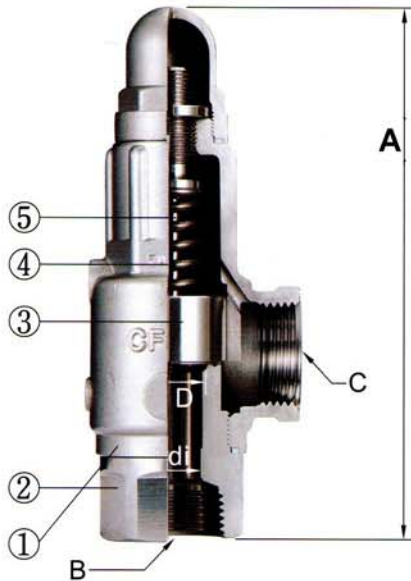
SIZE		A	B	C	D	E	F	G	H
1/2	DN 15	137	31	73	33	52	29	1/2	1/2
3/4	DN 20	148	33	82	33	56	35	3/4	3/4
1"	DN 25	183	40	98	45	72	40	1"	1"
1 1/4	DN 32	208	50	110	48	86	50	1 1/4	1 1/4
1 1/2	DN 40	230	50	130	50	93	57	1 1/2	1 1/2
2"	DN 50	262	55	150	57	102	66	2"	2"

### Components & Material :

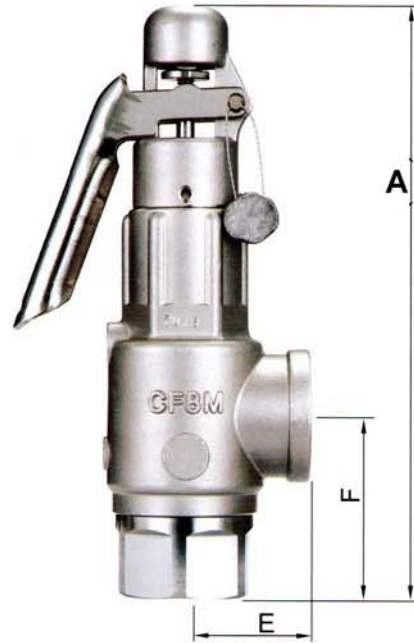
NO	NAME	TYPE
		Z244
1	VALVE BODY	ASTM-C84400 / JIS BC1
2	VALVE SEAT	ASTM-C84400 / JIS BC1
3	DISC	ASTM-C36040
4	SPRING	STEEL
5	STEM	ASTM-C36040
6	CAP	ASTM-C84400 / JIS BC1
WORKING PRESSURE		0.3 ~ 10 KG/cm <sup>2</sup>
WORKING TEMP		-45°C ~ 185°C
WORKING FLUID		Noncorrosive Gas, Steam, Air, Water, Noncorrosive Liquid



**SS-FT SERIES**  
Sealing  
1/2"-2"



**SS-L-FT SERIES**  
Lever  
1/2"-2"



**尺寸表 Dimensions**

(密閉式 Sealing)

單位 Unit:mm

(手拉式 Lever)

單位 Unit:mm

項目 Item 尺寸 Size	(密閉式 Sealing)									項目 Item 尺寸 Size	(手拉式 Lever)	
	A	B	C	入口 Inlet orifice di	閥座徑 Valve seat orifice D	E	F	揚程 Lift	重量 Wt. kg		A	重量 Wt. kg
1/2"x1"	168	1/2"	1"	18	22	40	58	0.88	1.2	1/2"x1"	190	1.3
3/4"x1"	168	3/4"	1"	19	22	40	58	0.88	1.2	3/4"x1"	190	1.3
1"x1"	168	1"	1"	19	22	40	58	0.88	1.2	1"x1"	190	1.3
1-1/4"x2"	245	1-1/4"	2"	38	38	66	83	1.52	4.6	1-1/4"x2"	269	4.8
1-1/2"x2"	245	1-1/2"	2"	38	38	66	83	1.52	4.6	1-1/2"x2"	269	4.8
2"x2"	245	2"	2"	38	38	66	83	1.52	4.6	2"x2"	269	4.8

**材質表 General Material**

序號 NO.	零件 Parts Name	型式 Type	SEALING TYPE	LEVER TYPE
1	閥體 Valve Body	CF8M (不銹鋼)		
2	閥座 Valve Seat	CF8M (不銹鋼)		
3	閥盤 Disc	SUS 316 (不銹鋼)		
4	彈簧 Spring	SUS 304 (不銹鋼)		
5	閥桿 Stem	SUS 316 (不銹鋼)		
使用壓力 Working Pressure			0.3~10 kgf/cm <sup>2</sup> 11~20 kgf/cm <sup>2</sup>	
使用溫度 Working Temp			-196 °C~290 °C	
使用流體 Working Fluid			非腐蝕性氣體、腐蝕性氣體、 空氣、蒸氣 Noncorrosive Gas、Corrosive Gas、 Air、Steam	非腐蝕性氣體、腐蝕性氣體、 空氣、蒸氣 Noncorrosive Gas、Corrosive Gas、 Air、Steam